

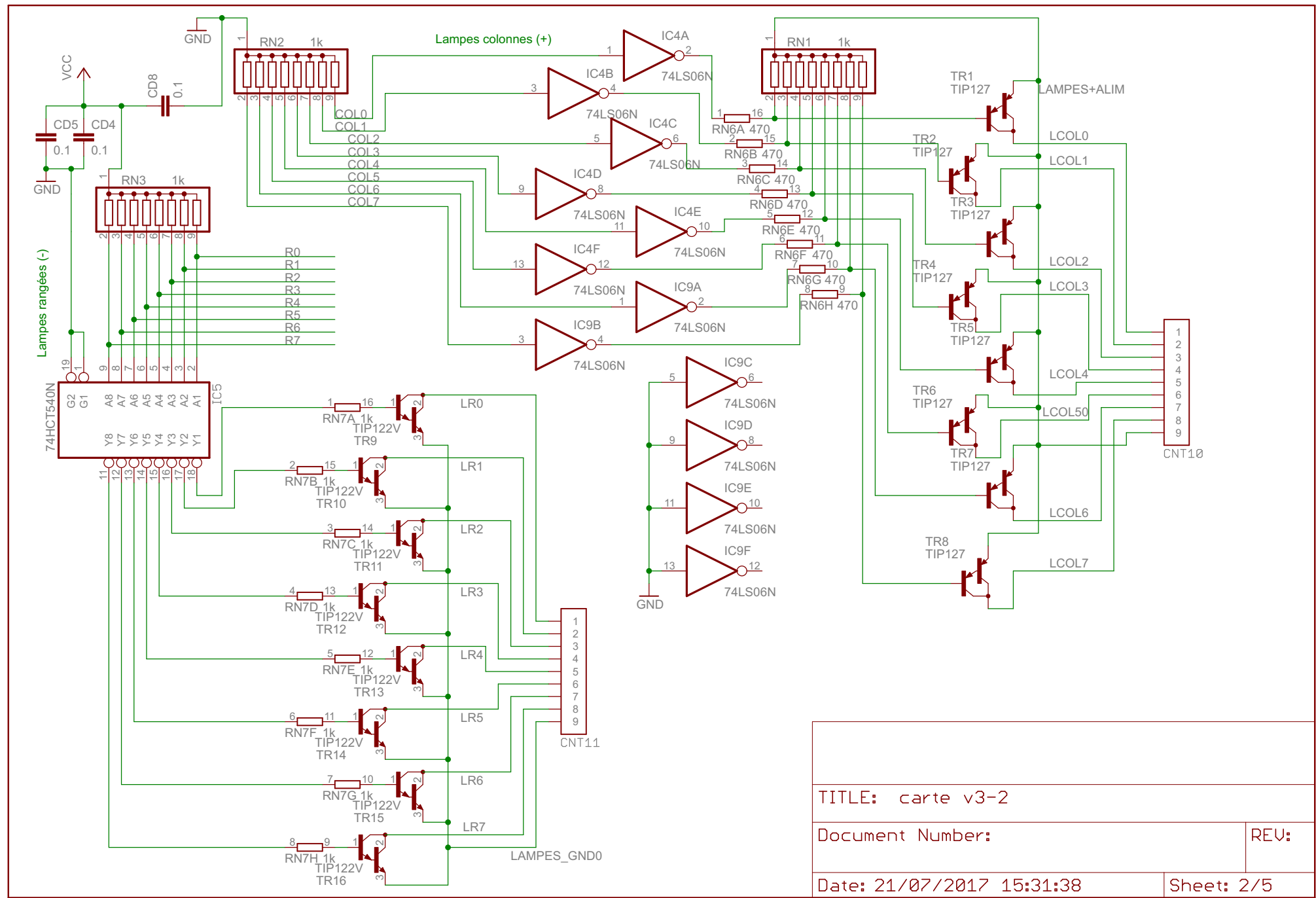
MEDIAFLIP BOARD V03.2

TITLE: carte v3-2

Document Number: INTERFACE PC->USB MEDIAFLIP 05/2014

Date: 21/07/2017 15:31:38

REU: Sheet: 1/5



TITLE: carte v3-2

Document Number:

REV:

Date: 21/07/2017 15:31:38

Sheet: 2/5

